



**Electrolux**  
PROFESSIONAL

**Floor Drains and Collecting Tanks**  
**Floor Drain with Stainless Steel Grate**  
**and Side Drain - Horizontal outlet**  
**400x1400 mm**

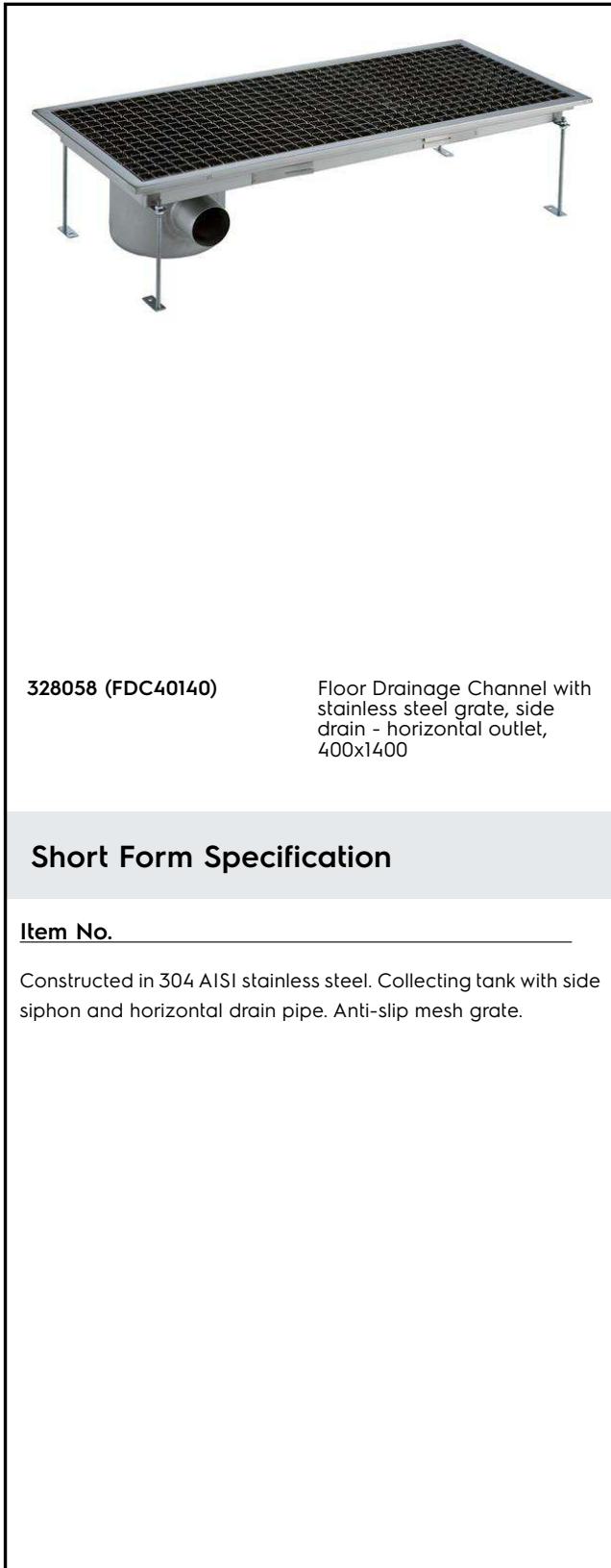
ITEM # \_\_\_\_\_

MODEL # \_\_\_\_\_

NAME # \_\_\_\_\_

SIS # \_\_\_\_\_

AIA # \_\_\_\_\_



328058 (FDC40140)

Floor Drainage Channel with stainless steel grate, side drain - horizontal outlet, 400x1400

**Short Form Specification**

Item No. \_\_\_\_\_

Constructed in 304 AISI stainless steel. Collecting tank with side siphon and horizontal drain pipe. Anti-slip mesh grate.

**Main Features**

- Easy to install.
- Anti-odour syphon.
- Removable waste blocking filter.
- Rag bolt for floor fixing.
- Easy to inspect for any possible waste removal action.
- Electrochemical finishing gives grids a bright appearance.
- Ideal for any drain solution, particularly suggested for great amounts of water drained during cleaning operations.
- Collecting tanks with side siphon.

**Construction**

- Anti-slip mesh 25x25 mm grating, h=25 mm, 1.5 mm in thickness.
- Constructed entirely in 304 AISI stainless steel.
- Adjustable leveling feet.
- Collecting tanks available with horizontal drain pipe.

APPROVAL: \_\_\_\_\_



Experience the Excellence  
[www.electroluxprofessional.com](http://www.electroluxprofessional.com)

**Key Information:**

<b>External dimensions, Width:</b>	
<b>328058 (FDC40140)</b>	1400 mm
<b>External dimensions, Depth:</b>	400 mm
<b>External dimensions, Height:</b>	200 mm
<b>Net weight:</b>	25 kg

